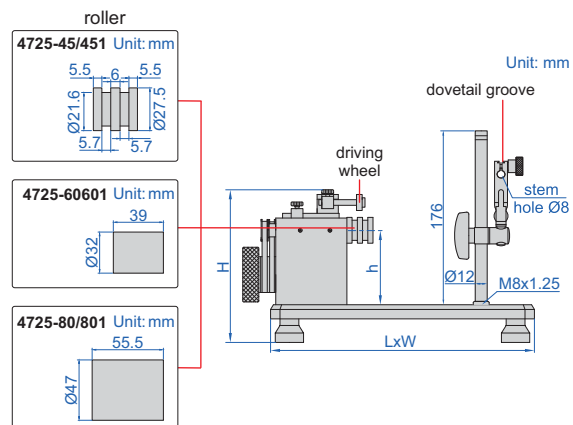
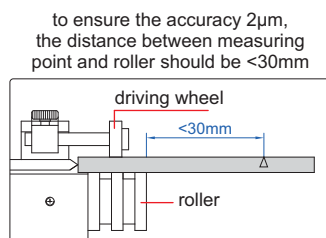
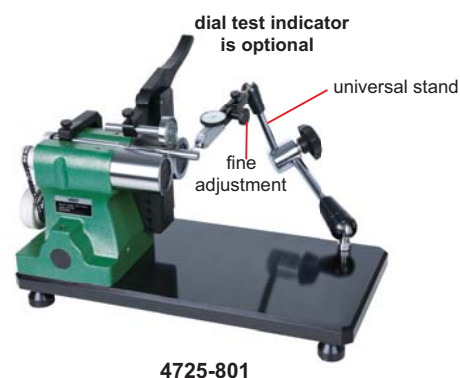
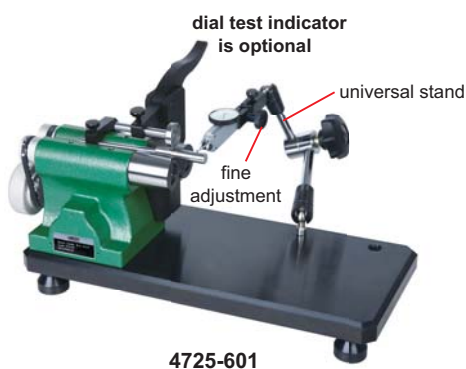
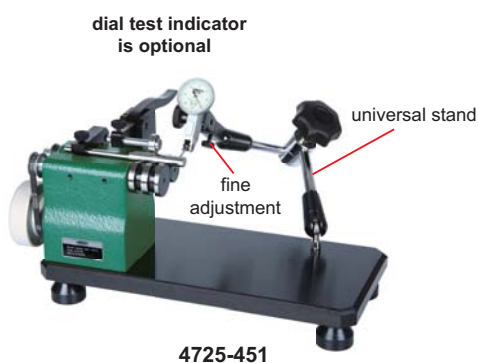
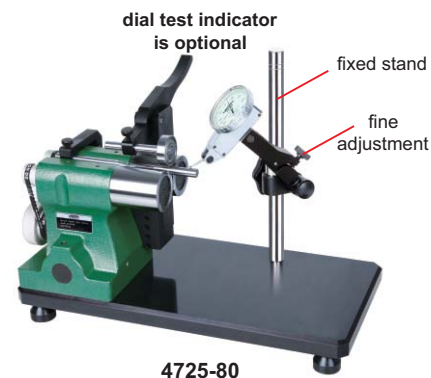
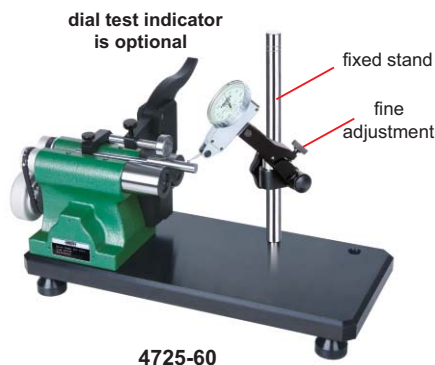
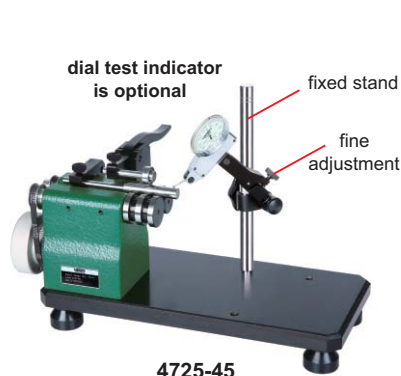


HIGH STABILITY,
LONG WORKING LIFE

CONCENTRICITY GAGES



- With ball bearing, high stability, long working life
- Accuracy 2 μ m
- Optional accessory: dial test indicator

Code	Diameter range	Center height (h)	LxWxH	Weight	Remark
4725-45	Ø3-45mm	80mm	280x130x170mm	6kg	fixed stand, high accuracy, inconvenient operation
4725-60	Ø8-60mm	90mm	350x160x190mm	15.6kg	fixed stand, high accuracy, inconvenient operation
4725-80	Ø8-80mm	130mm	400x200x250mm	25kg	fixed stand, high accuracy, inconvenient operation
4725-451	Ø3-45mm	80mm	280x130x170mm	6kg	universal stand, low accuracy, convenient operation
4725-601	Ø8-60mm	90mm	350x160x190mm	15.6kg	universal stand, low accuracy, convenient operation
4725-801	Ø8-80mm	130mm	400x200x250mm	25kg	universal stand, low accuracy, convenient operation